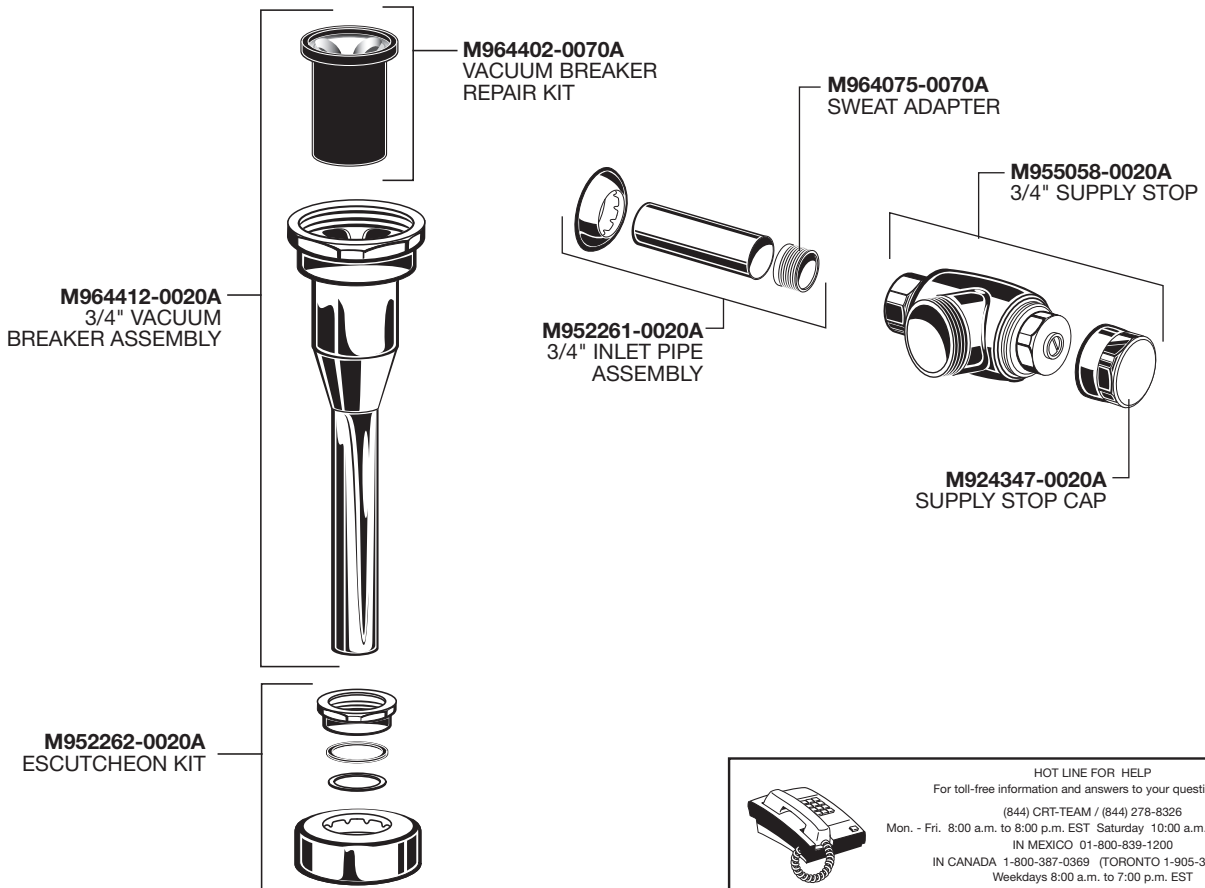
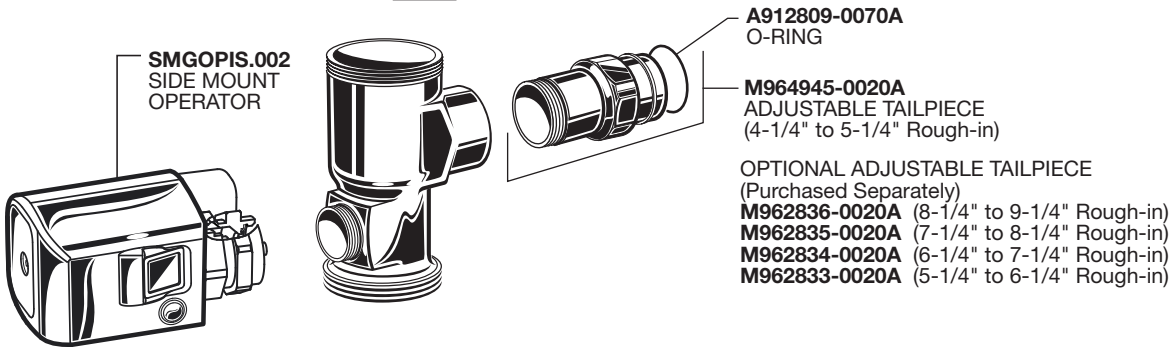
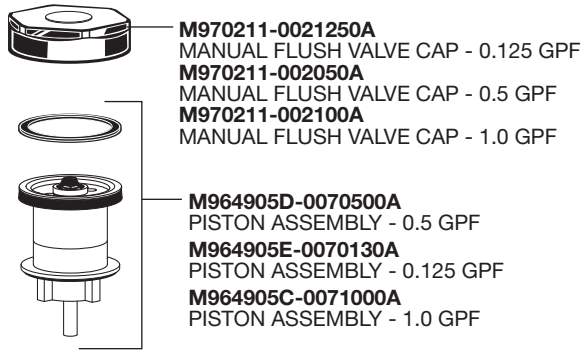


American Standard

FLUSH VALVE, 0.5 GPF
 Exposed Urinal Flushometer
 with Side-Mount Operator
 for 3/4" top spud Urinals

MODEL NUMBERS
6045SM013
6045SM051
6045SM101



PART OF **LIXIL**



HOT LINE FOR HELP
 For toll-free information and answers to your questions, call:
 (844) CRT-TEAM / (844) 278-8326
 Mon. - Fri. 8:00 a.m. to 8:00 p.m. EST Saturday 10:00 a.m. to 4:00 p.m. EST
 IN MEXICO 01-800-839-1200
 IN CANADA 1-800-387-0369 (TORONTO 1-905-306-1093)
 Weekdays 8:00 a.m. to 7:00 p.m. EST

Product names listed herein are trademarks of AS America, Inc. ©2018

To learn more about American Standard Selectronic® Products visit our website at:
www.americanstandard-us.com or e-mail us at: CRTTEAM@lixilamericas.com